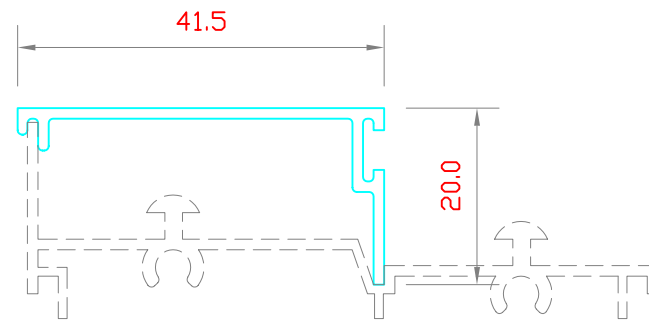
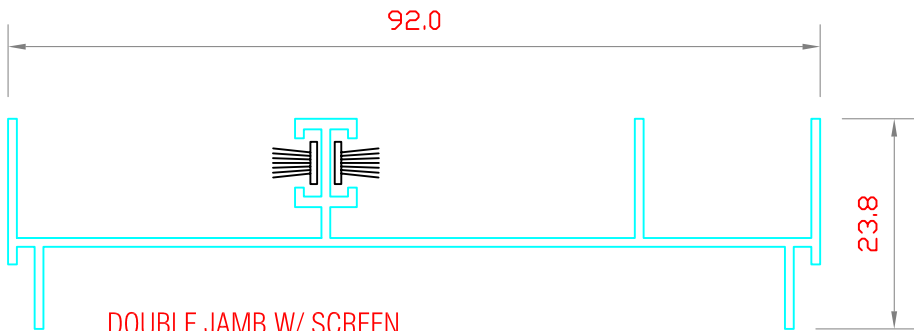


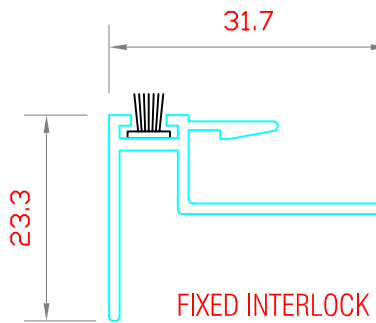
DOUBLE SILL W/ SCREEN



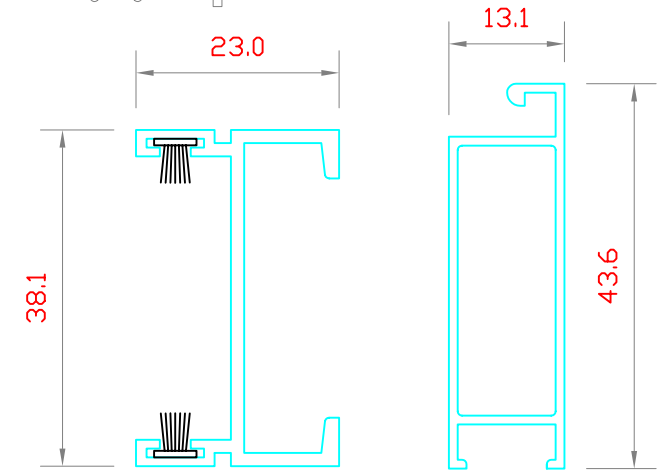
STEP SILL



DOUBLE JAMB W/ SCREEN

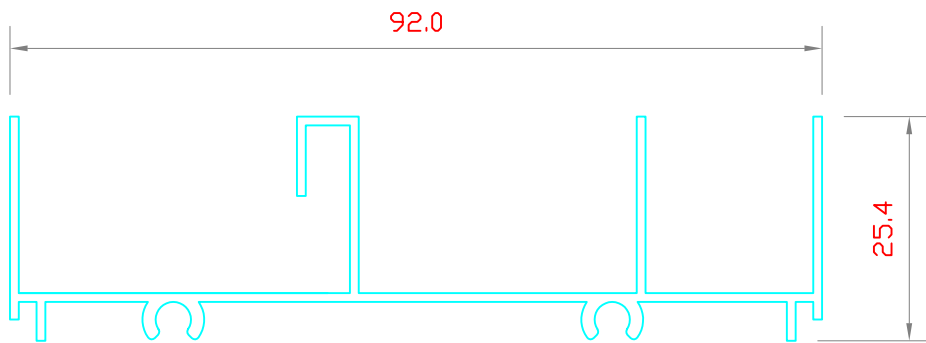


FIXED INTERLOCK

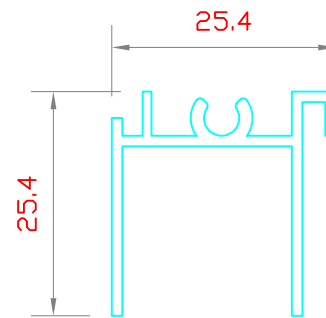


ASTRAGAL

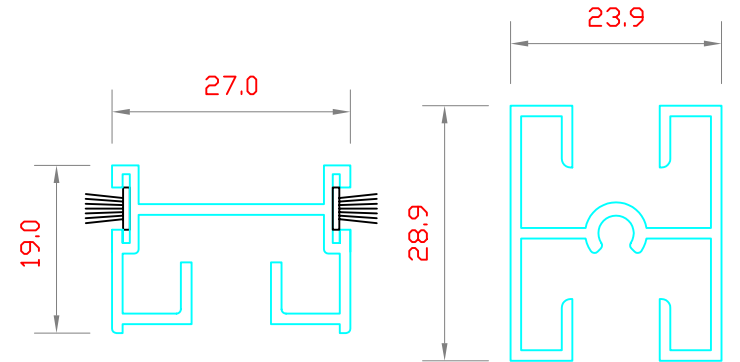
SCREEN FRAME



DOUBLE HEADER W/ SCREEN



SCREEN HEAD



FIXED STILE

GLASS DIVIDER

 **SLIDING SECTIONS**



Seapac Philippines, Inc.

4th Floor 115 Y - L Building
Rufino Corner Salcedo Street,
Legazpi Village, Makati City

Phone: (632) 892-8437
Facsimile: (632) 893-9867

Subject: 3000 SERIES - SLIDING WINDOW & DOOR SECTIONS

Drawn by: RTA	Date:	Drawing No.	REVISION:
Checked by: CS	Scale: 1 : 1	A4	3000 / SL/ 002 -

SEAPAC PHILIPPINES, INC. THESE DESIGN DRAWING AND THE COPYRIGHT THERE IN ARE PROPERTY OF SEAPAC PHILIPPINES INC. AND MUST NOT BE DIVULGED REPRODUCED OR COPIED WITHOUT WRITTEN PERMISSION.